

SPECIFICATIONS

Material: HEXSEALS: Silicone rubber conforms to A-A-59588 Class 3, GR 60 unless otherwise specified.

Mounting Nut: HEXSEALS: Brass, nickel-plated (unless otherwise noted)

Temperature Range: HEXSEALS: -94°F to +400°F

Pressure Range: Exceeds 15 psi internal and 1500 psi external.

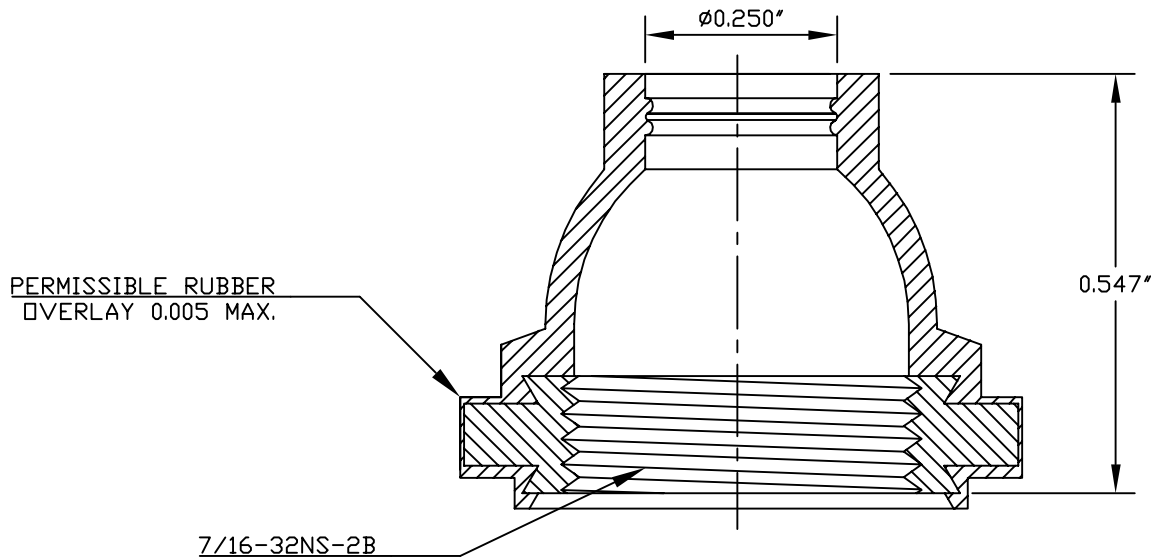
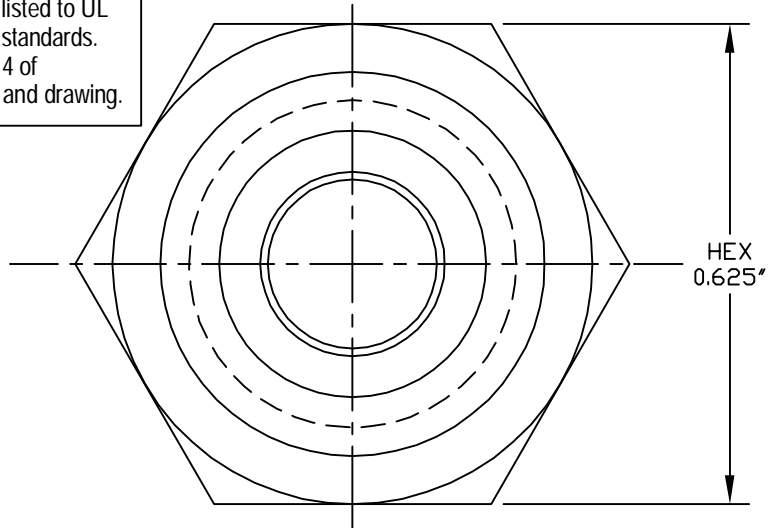
Operational Life: 50,000 actuations (minimum).

Shelf Life: Excess of 25 years.

Resistant to: Salt spray, sunlight, ozone, weather, fungus, and most acids and lubricating oils

Agency Recognition: E-SEELS and HEXSEALS are UL-listed to UL Std. 50 types 1-13, and meet CSA standards.

Installation: If a reducing adaptor is required - see page 14 of HEXSEAL catalog HEX200 for part numbers and drawing.



7/16-32NS-2B

G	MAT'L CHANGED and REDRAWN	S. GOK	06.15.09
F	CAD COMPUTER GENERATED		09.23.02
E	UPDATED	R.C.	08.27.74
REV.	DESCRIPTION		DATE
MAXIMUM AND MINIMUM MEASUREMENTS ARE STATED DIRECTLY ON EACH DIMENSION.			
MAT'L: Silicone Rubber A-A-59588, Gr.60	TITLE: SWITCH BOOT, PLUNGER (N3030B)	ENG. S. GOK DWN. B. FLAMCE CHKD. J. CELLA	06.15.09 05.12.59 06.15.09
FINISH: CLEAR	APM-HEXSEAL CORPORATION	SCALE 4 : 1 DWG. NO. (N3030B 7/16-32) HEXSEAL®	

THIS DRAWING COVERS PROPRIETARY ITEM AND IS THE PROPERTY OF THE APM-HEXSEAL CORPORATION.
THIS DRAWING IS NOT TO BE COPIED OR USED WITHOUT THE WRITTEN APPROVAL OF AN OFFICER OF THE APM-HEXSEAL CORPORATION.